

**Description**

Ultra Precision Strain Gage based 20410 Crane Load Cell is versatile, compact and rugged. It is used for tension measurements, Crane weighing. It can be used in tension mode only.

Tension Loading can be applied through Dee / Bow Shackles. It is available in 7.5 Tf to 200 Tf capacities.

**Features**

- 7.5, 10, 15, 25, 50, 75, 100, 150, 200 TF Capacities available.
- High Alloy Tool Steel construction for resistance against shock and overload.
- Perpendicular hole design helps in minimizing external moments effects and improves safety & accuracy.
- It is light weight and portable.
- High Temperature version for foundry applications is available upon request.
- Can be designed to fit your dimensional needs.

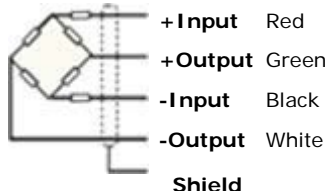
**Applications**

- To measure rope tension by inserting as a link in to the line.
- To measure towing force of the vehicles and Ships.
- Force Measurement Tension Dynamometer.
- Hanging & Crane Scale.
- Material handling equipments.
- Cargo handling in Ship Yards.

**Performance Specification**

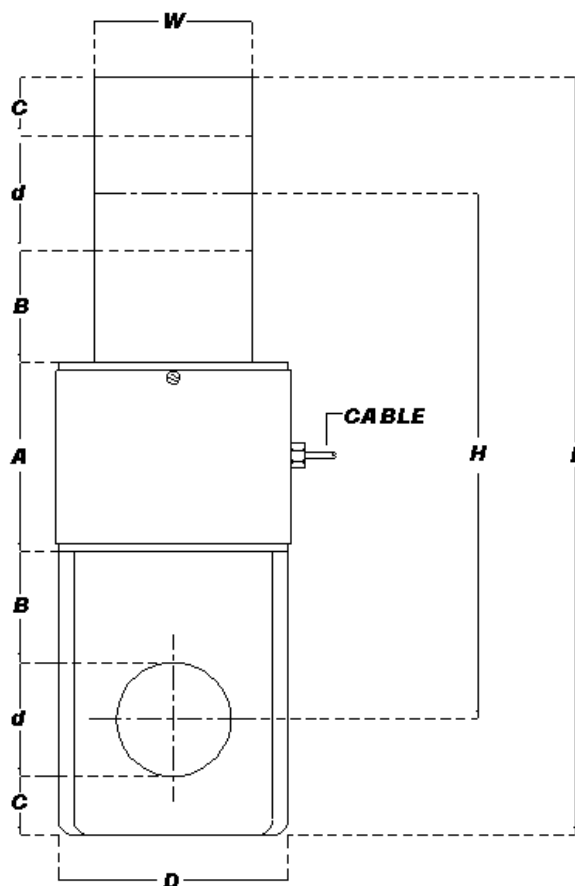
Standard Capacities	7.5, 10, 15, 25, 50, 75, 100, 150, 200 TF.
Excitation Voltage	10 VDC- Maximum 15 VDC
Nominal Output	1.0 m V/ V
Non - Linearity	< ±0.05% FSO
Hysteresis	< ±0.03% FSO
Non-Repeatability	< ±0.02% FSO
Creep (30 minutes)	< ±0.04% FSO
Zero Balance	±1.0% FSO
Input Resistance	775 ± 15 Ohms
Output Resistance	700 ± 3 Ohms
Insulation Resistance (50 VDC)	> 1000 Mega Ohms
Cable Length (4 Core Screened)	Please See table
Safe Overload of Rated Capacity	150%
Ultimate Overload of Rated Capacity	200%
Allowable Side Load	50%
Temp. Compensated Range	0-60°C
Temperature Effect on Output	< 0.0015% FSO/ °C
Temperature Effect on Zero	< 0.0020% FSO/ °C
Deflection	< 0.4 mm at FSO
Finish & Construction	Electroless Nickel Plated Tool Steel
Environmental Protection Class	IP65

**Electrical Termination**



CAPACITY – TF.	A	B	C	d (Dia)	D (Dia)	W	H	L	CABLE- MTR.
7.5, 10	56	28	19	36	65	50	142	220	10
15, 20	65	30	21	46	80	57	159	260	10
25, 30	80	38	23	52	92	70	200	305	10
50	105	56	31	72	132	100	277	425	15
75	120	70	37	85	155	120	332	505	15
100	140	70	45	104	170	128	365	580	20
150	165	100	50	115	190	135	465	675	20
200	190	102	60	155	260	195	504	825	20

NOTE: ALL DIMENSIONS ARE IN MM



**ADI ARTECH TRANSducers (P) LTD, VADODARA**

A Joint venture with ARTECH INDUSTRIES INC., U.S.A  
 917/1, G.I.D.C. Estate, Makarpura Vadodara - 390 010. Gujarat, India.

Ph: +91 265 2655083, 2651023 Fax: +91 265 2638751

Email: sales@adiartech.com