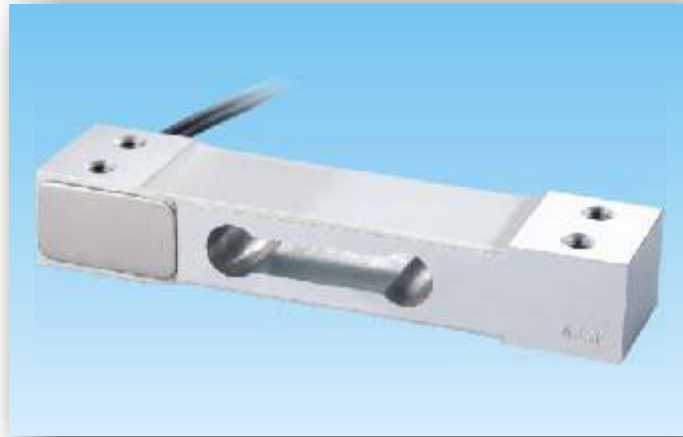


model

60710

SINGLE - POINT TABLE TOP LOAD CELL



FEATURES :

- ❖ Single Point Off-centre Load Measuring Capability
- ❖ Economical and Low Profile Cell

APPLICATIONS :

- ❖ Bench, Counting & Postal Scales
- ❖ Check Weighers

DESCRIPTION :

This is an economical Load Cell meant for off-centre loading applications. It is used in bench, counting and postal Scales. It is Strain Gage based Cell constructed from Aluminium Alloy for better sensitivity.

PERFORMANCE SPECIFICATION :

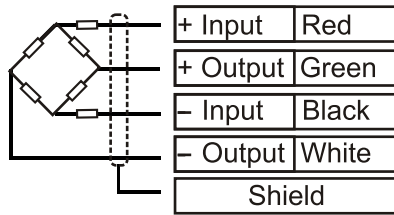
Standard Capacities (Kgf.)	: 3, 6, 10, 15, 20, 30, 40, 60
Excitation Voltage	: 10 VDC - Maximum 15 VDC
Nominal Output	: 2.0 mV/V
Non-Linearity	: < ± 0.025 % FSO (Full Scale Output)
Hysteresis	: < ± 0.02 % FSO
Non-Repeatability	: < ± 0.01 % FSO
Creep (30 minutes)	: < ± 0.03 % FSO
Zero Balance	: ± 1.0 % FSO
Input Resistance	: 400 ± 15 Ohms
Output Resistance	: 350 ± 5 Ohms
Insulation Resistance	: > 1000 Mega Ohms at 50 VDC
Safe Overload	: 150% of Rated Capacity
Ultimate Overload	: 200% of Rated Capacity
Temperature	: 0-60° C
Compensated Range	
Temperature Effect on Output	: < 0.0015 % FSO/ °C
Temperature Effect on Zero	: < 0.0020 % FSO/ °C
Platter Size	: 300 x 300 mm
Eccentric Load Effect	: < 0.02 % of FSO at 1/3 rated load placed within 150mm radius from the center of load cell.
Deflection	: < 0.5 mm at FSO
Tightening Torque	: 1.5 m. kg.
Construction	: Aluminium Alloy



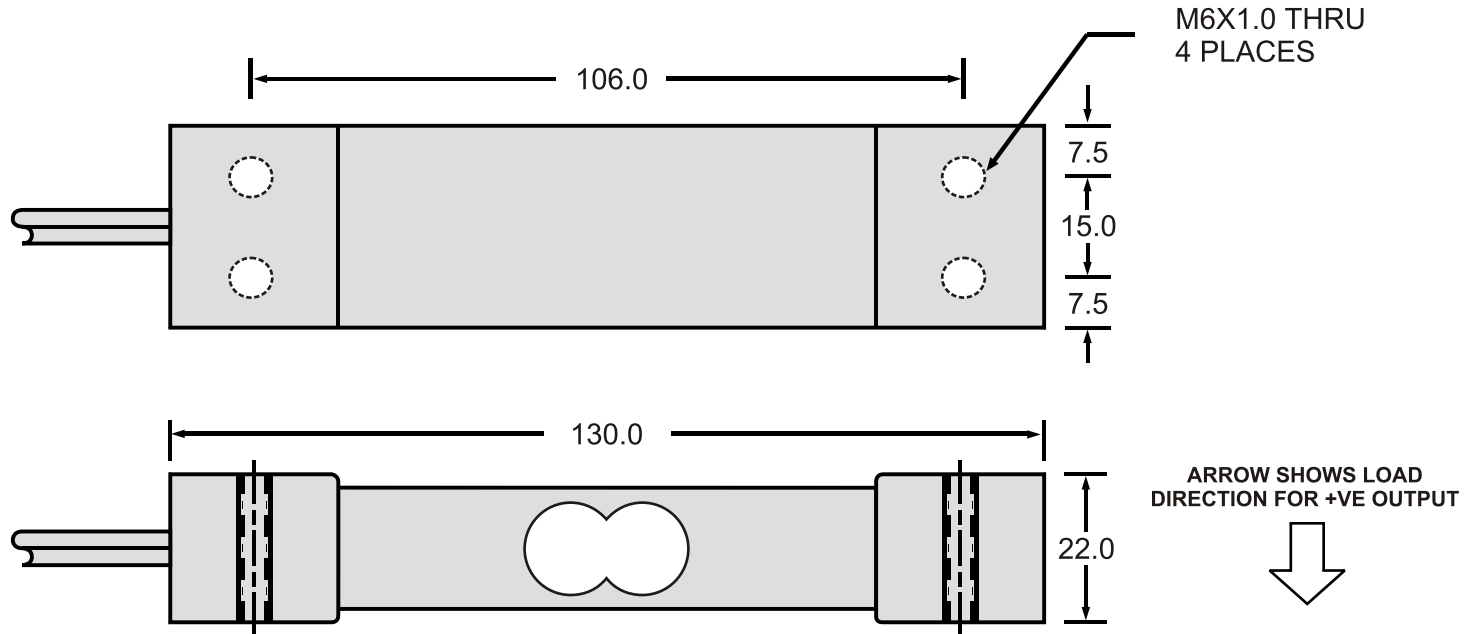
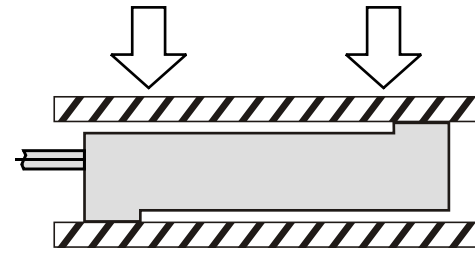
ADI ARTECH
TRANSDUCERS PVT. LTD.

A Joint venture with
ARTECH INDUSTRIES INC., U.S.A.

ELECTRICAL TERMINATION



4 CORE SCREENED CABLE - 0.5 mtrs.



All dimensions are in mm.

ORDER INFORMATION :

ADI ARTECH is dedicated in maintaining adequate inventories of its Load Cells to provide the best service in the industry.

Order by the model number and indicate the capacity required.

Specifications are subject to change without notice

	Manufactured by :	917/1, G.I.D.C. ESTATE, MAKARPURA, VADODARA - 390 010 (INDIA)
	ADI ARTECH	Phone : 2655083/2651023
	TRANSDUCERS PVT. LTD.	FAX : (91) 0265-2638751
	A Joint venture with ARTECH INDUSTRIES INC., U.S.A.	E-mail : sales@adiartech.com artechad1@sancharnet.in
		Website : www.adiartech.com

QUALITY * PERFORMANCE * SERVICE
“A PREFERRED NAME IN LOAD CELL TECHNOLOGY”