

model 90210/90310 **COMPRESSION LOAD CELL**



FEATURES :

- ❖ 5 Tf to 100 Tf
- ❖ Multicolumn Construction
- ❖ Hermetically Sealed - IP 68
- ❖ **Linearised version - 90310 - is available with accuracy better then 0.025% of Full Scale Output**

APPLICATIONS :

- ❖ Truck Scale
- ❖ Tank Weighing
- ❖ Hopper Weighing
- ❖ Compressive Force Testing
- ❖ Industrial Automation

DESCRIPTION :

Model 90210/90310 is a Strain Gage based, multicolumn compression type of Load Cell. It is hermetically sealed to provide better environmental protection. The cell is recommended for tank, truck, track and hopper type industrial applications. The cell is supplied with an integral 20 meter cable.

PERFORMANCE SPECIFICATION :

Standard Capacities (Tonf.)	: 5,7.5, 10, 15, 20, 23, 30, 45, 75, 100
Excitation Voltage	: 20 VDC
Nominal Output	: 2.0 mV/V
Non-Linearity	: 90210 - < ± 0.15 % FSO (Full Scale Output) 90310 - < ± 0.025% FSO
Hysteresis	: < ± 0.03 % FSO
Non-Repeatability	: < ± 0.02 % FSO
Creep (30 minutes)	: < ± 0.03 % FSO
Zero Balance	: ± 1.0 % FSO
Input Resistance	: 450 ± 2.0 Ohms
Output Resistance	: 480 ± 3.0 Ohms
Insulation Resistance	: > 1000 Mega Ohms at 50 VDC
Safe Overload	: 150 % of Rated Capacity
Ultimate Overload	: 300 % of Rated Capacity
Allowable Side Load	: 10 % of Rated Capacity
Temperature	: 0-60° C
Compensated Range	
Temperature Effect on Output	: < 0.0015 % FSO/ °C
Temperature Effect on Zero	: < 0.0020 % FSO/°C
Deflection	: < 0.4 mm of rated load
Finish	: Epoxy Enamel
Environmental Protection Class	: IP68

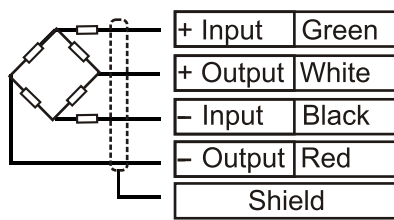


ADI ARTECH
TRANSDUCERS PVT. LTD.

A Joint venture with
ARTECH INDUSTRIES INC., U.S.A.

Provided with surge protection from transient over voltage caused by lightning and power supply faults

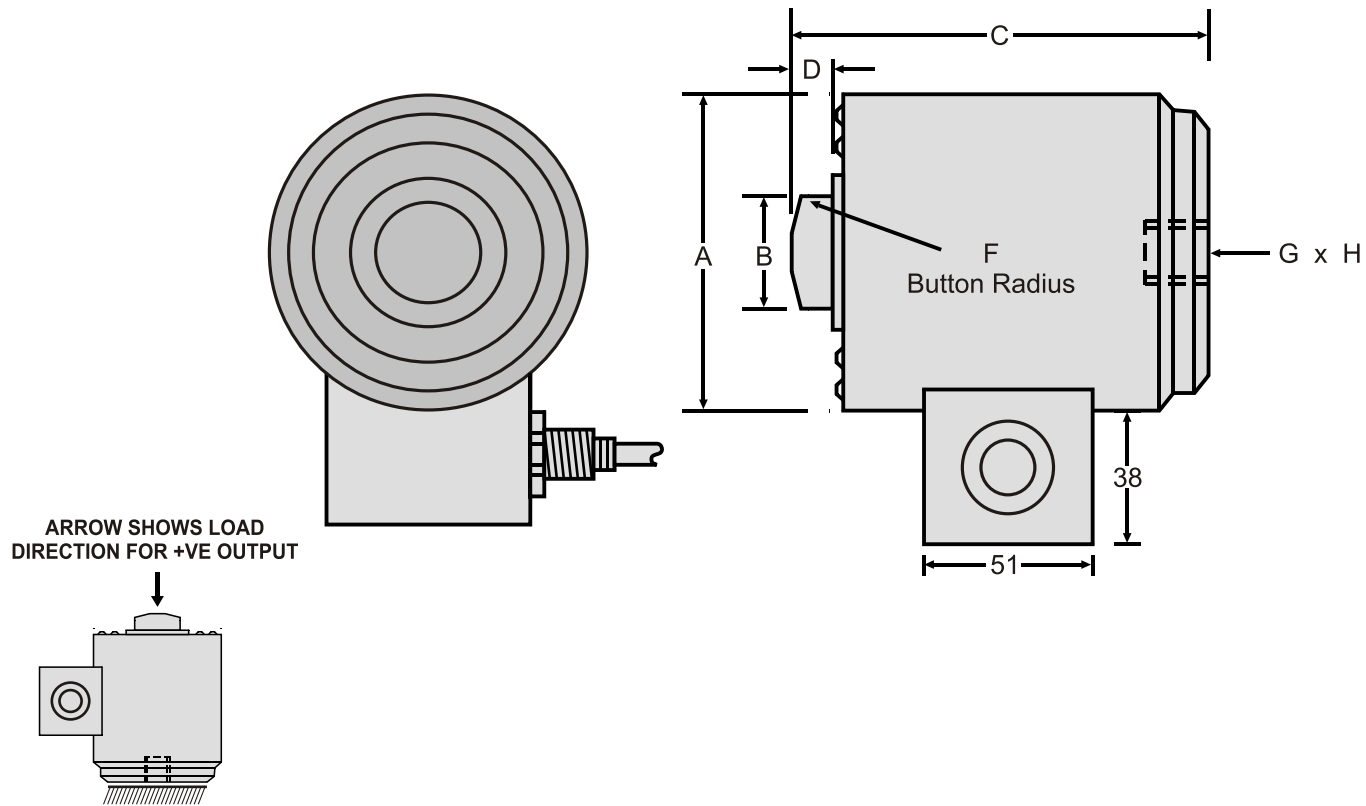
ELECTRICAL TERMINATION



4 CORE SCREENED CABLE

CAPACITY Tf	A	B	C	D	E	F	G	H	Cable mtrs
5 to 30	73	32	82	8	39	150	M12 x 1.25	8	20
45	114	58	127	12.5	62	150	M20 x 1.50	14	20
75, 100	140	80	184	26	87	430	M20 x 1.50	19	20

All dimensions are in mm.



ORDER INFORMATION :

ADI ARTECH is dedicated in maintaining adequate inventories of its Load Cells to provide the best service in the industry.

Order by the model number and indicate the capacity required.

Specifications are subject to change without notice

	Manufactured by :	917/1, G.I.D.C. ESTATE, MAKARPURA, VADODARA - 390 010 (INDIA)
	ADI ARTECH	Phone : 2655083/2651023
	TRANSDUCERS PVT. LTD.	FAX : (91) 0265-2638751
	A Joint venture with ARTECH INDUSTRIES INC., U.S.A.	E-mail : sales@adiartech.com artechad1@sancharnet.in
		Website : www.adiartech.com

QUALITY * PERFORMANCE * SERVICE
“A PREFERRED NAME IN LOAD CELL TECHNOLOGY”