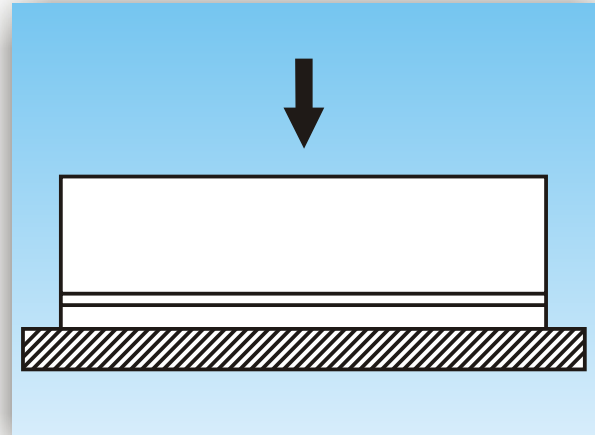
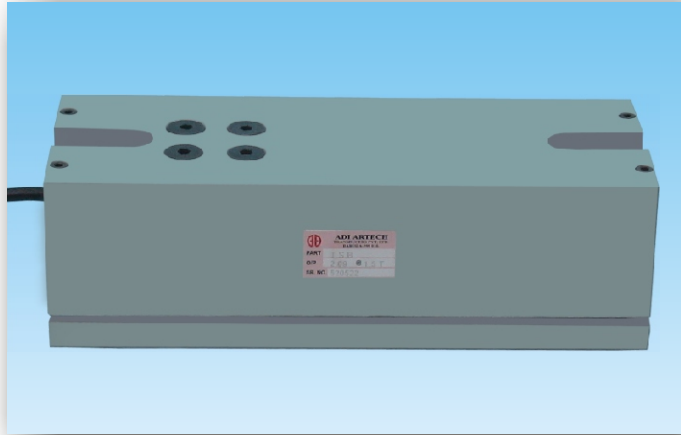


model TSB

TENSION SENSING BLOCK



FEATURES :

- ❖ 10 to 1500 Kgf. capacities offered
- ❖ Complete environmental protection-IP 65 class
- ❖ Standard output 2.0 mV/V available

APPLICATIONS :

Used for measuring the tension of materials drawn over a rotating rollers such as :

- ❖ Paper
- ❖ Foil
- ❖ Magnetic tape
- ❖ Plastic tape
- ❖ Yarn & Filaments
- ❖ Printing, Coating & Laminating

DESCRIPTION :

- ❖ Strain gage based design
- ❖ Temperature compensated
- ❖ Provided with over load protection
- ❖ Can be installed easily
- ❖ Suitable for fitting plummer block with bearing.

PERFORMANCE SPECIFICATION :

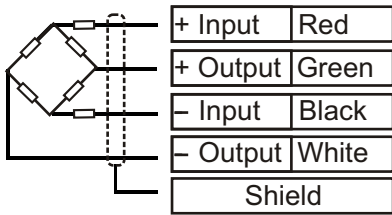
Standard Capacities (Kgf.)	: 10,20,50,100,200,500,1000,1500
Excitation Voltage	: 10 VDC - Maximum 15 VDC
Nominal Output	: 2.0 mV/V
Non - Linearity	: < ± 0.1 % FSO (Full Scale Output)
Hysteresis	: < ± 0.1 % FSO
Non-Repeatability	: < ± 0.1 % FSO
Creep (30 minutes)	: < ± 0.03 % FSO
Input Resistance	: 375 ± 5 Ohms
Output Resistance	: 350 ± 2 Ohms
Insulation Resistance (50VDC)	: > 1000 Mega Ohms
Safe overload	: 100%
Ultimate Overload of Rated	: 200 %
Allowable Side Load	: 50%
Temp. Compensated Range	: 0-60 °C
Temp. Effect on Output	: < 0.04 % FSO/ °C
Temp. Effect on Zero	: < 0.04 % FSO/ °C
Deflection	: < 0.5 mm at FSO
Material of Construction	: Tool Steel
Environmental Protection Class	: IP65



ADI ARTECH
TRANSDUCERS PVT. LTD.

A Joint venture with
ARTECH INDUSTRIES INC., U.S.A.

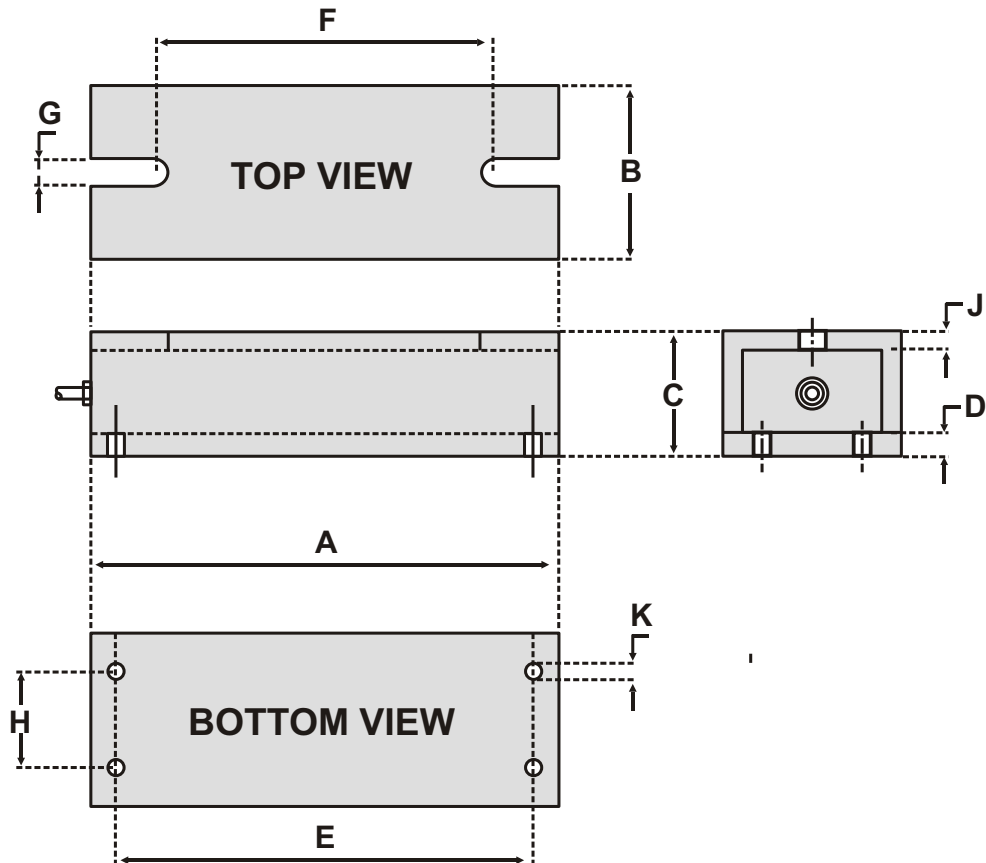
ELECTRICAL TERMINATION



4 CORE SCREENED CABLE

Capacity Kgf	A	B	C	D	E	F	G	H	J	K dia.
10-50	165	65	36	6	150	130	13	40	5	6.2
75-200	190	80	59	10	165	150	13	50	8	8.5
300-1500	242	90	72	12	210	180	18	50	10	9.0

All dimensions are in mm.



ORDER INFORMATION :

ADI ARTECH is dedicated in maintaining adequate inventories of its Load Cells to provide the best service in the industry.

Order by the model number and indicate the capacity required.

Specifications are subject to change without notice

	Manufactured by :	917/1, G.I.D.C. ESTATE, MAKARPURA, VADODARA - 390 010 (INDIA)
	ADI ARTECH	Phone : 2655083/2651023
	TRANSDUCERS PVT. LTD.	FAX : (91) 0265-2638751
	A Joint venture with ARTECH INDUSTRIES INC., U.S.A.	E-mail : sales@adiartech.com artechad1@sancharnet.in
		Website : www.adiartech.com

QUALITY * PERFORMANCE * SERVICE
“A PREFERRED NAME IN LOAD CELL TECHNOLOGY”