

Description

The WM-VII-Weighing Module – Eye Bolt is designed to utilize 20210 Load Cell for tank, hopper weighing and Hanging applications. The module is available in zink plated steel.

Its dimensions can be customized to fit to customers' requirements.

Features

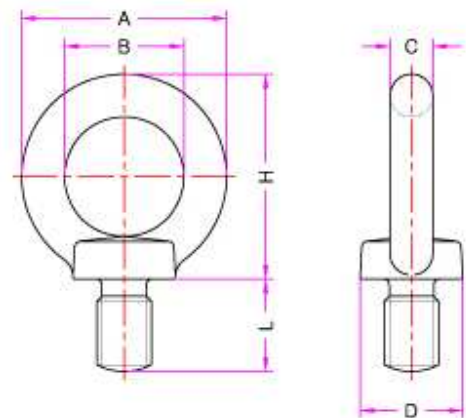
- Max.capacity available up to 8Tf.
- Zink plated Steel construction.
- Available in stainless steel optionally.
- Provided with check nut.

Applications

- Tank Weighing.
- Hopper Weighing.
- Hanging weighing.

Size	A	B	C	D	H	L	Load Capacity-Tf.	Self Weight
M6 X 1	32.6	20	6.3	16	33	15	0.40	0.04
M12 X 1.25	50	30	10.0	25	51	22	1.00	0.14
M20X 1.5	72	40	16.0	35	71	30	3.00	0.43
M24 X 2	90	50	20.0	45	90	38	5.00	0.85
M30 X 2	110	60	25.0	60	110	45	6.50	1.7
M36 X 3	133	70	31.5	70	131	55	8.00	3.0

All dimensions are in mm.



Specification are subject to change without notice

Manufactured by:



ADI ARTECH
TRANSDUCERS PVT. LTD.
 A Joint venture with
 ARTECH INDUSTRIES INC., U.S.A

917/1, G.I.D.C. Estate, Makarpura Vadodara - 390 010. Gujarat, INDIA

Ph : +91-265-2655083, 2651023

Fax : +91-265-2638751

M : +91-9374068998, 9327425560

Email : sales@adiartech.com, adiartech@adiartech.com

Website: www.adiartech.com