

Description

20210 – SS is precision universal type Load Cell useful in hanging type weighing, universal testing, process & machine automation and line tension measurement. It is constructed from Stainless steel 17-4 PH for ruggedness and harsh industrial applications. It's design is strain gage based with full temperature compensation over 0 to 60°C range.

Features

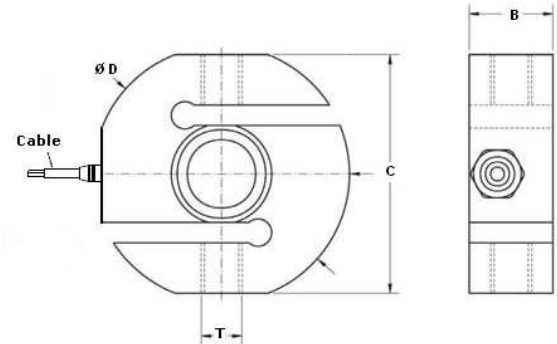
- ❖ 250 Kgf to 20 TF capacities available.
- ❖ Stainless Steel 17 – 4 PH constructions for resistance against shock and overload.
- ❖ Complete Environmental Protection – Meets IP 67 class.
- ❖ Standardized output (2.0 ± 0.25%) available on request.
- ❖ Can be customized to suit customer's requirements.
- ❖ High Temperature version can be provided on request.

Applications

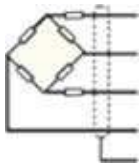
- ❖ Conversion of Mechanical Scale to Electronic.
- ❖ Tank, Hopper & Bag Weighing.
- ❖ Force Measurement, Tension & or Compression Dynamometer.
- ❖ Hanging & Crane Scale.
- ❖ Industrial Automation.
- ❖ Line tension measurement.
- ❖ Process & machine automations and Robotics.

Performance Specification

Standard Capacities	250 , 500. , 750 Kgf , 1 , 1.5 , 2 , 3 , 5 , 7.5 , 10 , 15 , 20Tf
Excitation Voltage	10 VDC- Maximum 15 VDC
Nominal Output	2.0 m V/ V
Non - Linearity	< ±0.025% FSO (Full Scale Output)
Hysteresis	< ±0.03% FSO
Non-Repeatability	< ±0.01% FSO
Creep (30 minutes)	< ±0.03% FSO
Zero Balance	±1.0% FSO
Input Resistance	392 ± 15 Ohms
Output Resistance	350 ± 3 Ohms
Insulation Resistance (50 VDC)	> 1000 Mega Ohms
Cable	5 Meter s
Safe Overload of Rated Capacity	150%
Ultimate Overload of Rated Capacity	250%
Allowable Side Load	50%
Temp. Compensated Range	0-60 °C
Temperature Effect on Output	< 0.0015% FSO/ °C
Temperature Effect on Zero	< 0.0020% FSO/ °C
Deflection	< 0.4 mm at FSO
Finish & Construction	Stainless Steel 17 – 4 PH
Environmental Protection Class	Meets IP 67



Electrical Termination



+Input	Red
+Output	Green
-Input	Black
-Output	White
Shield	

CAPACITY	C	B	ØD	T
250,500,750 Kgf	70	25	75	M12 x 1.25*
1 , 1.5 , 2 Tf	95	30	100	M20x 1.5
3 , 5 Tf	120	40	125	M24 x 2
7.5 , 10Tf	145	55	152	M30 x 2
15 , 20Tf	190	70	200	M36 X 3

* Optionally: M12 x 1.75 available

NOTE: ALL DIMENSIONS ARE IN MM

Specifications are subject to change without prior notice

Manufactured by:



ADI ARTECH
TRANSDUCERS PVT. LTD.
 A Joint venture with
 ARTECH INDUSTRIES INC., U.S.A

917/1, G.I.D.C. Estate, Makarpura Vadodara - 390 010. Gujarat, INDIA

Ph : +91-265-2655083, 2651023

Fax : +91-265-2638751

M : +91-9374068998, 9327425560

Email : sales@adiartech.com, adiartech@adiartech.com

Website : www.adiartech.com