

Description

Model 90220 is a Strain Gage based, compact & low profile universal type load cell. It is constructed from Electroless Nickel Plated Tool Steel material. The cell is recommended for tank, Hopper, hydraulic press, compression force testing, Civil & construction material testing applications.

Features

- ❖ 0-1000 to 0-10000 KN capacity is offered
- ❖ Compact & Low Profile
- ❖ Dual Bridge For sensor redundancy can be provided optionally

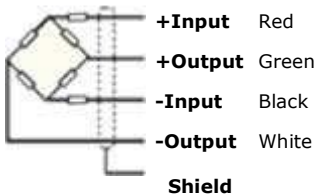
Applications

- ❖ Compression and tension push pull Force Testing ,up to 2000KN only. Higher only compression.
- ❖ Hydraulic Press
- ❖ Tank, Silo Weighing
- ❖ Civil & Construction Material Testing.
- ❖ Pile & Structure Testing

Performance Specification

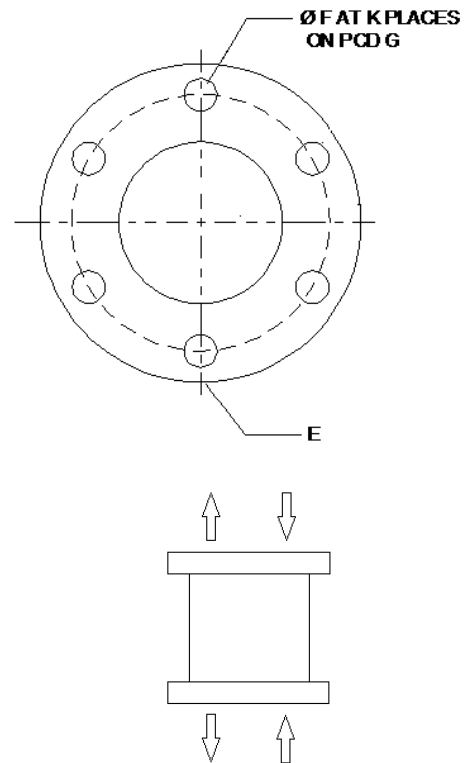
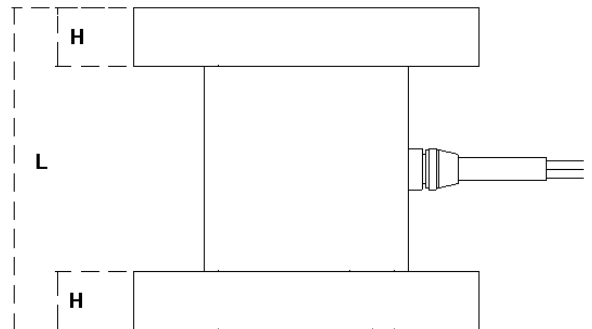
Standard Capacities	1000,2000,5000,10000 KN
Excitation Voltage	10VDC-Maximum 15VDC
Nominal Output	2.0 mV/V
Non - Linearity	<±0.5% FSO (Full Scale Output)
Hysteresis	<±0.1% FSO
Non-Repeatability	<±0.1% FSO
Creep (30 minutes)	<±0.1% FSO
Input Resistance	770 ± 2.0 Ohms
Output Resistance	700 ± 2 Ohms
Insulation Resistance (50V)	>1000 Mega Ohms
Cable Length (4 Core)	5 Mtr.
Safe Overload	150%
Ultimate Overload of Rated	250%
Temp. Compensated Range	0-60 °C
Temperature Effect on Output	< 0.0025% FSO/ °C
Temperature Effect on Zero	< 0.0030% FSO/ °C
Deflection	< 0.4 mm at FSO
Material of Construction	Electroless Nickel Plated Tool Steel
Environmental Protection Class	IP65 – Gage Area

Electrical Termination



Capacity-KN	E	F X K PLCS.	G - PCD	H	L
1000,2000	250	19.1 x 8	220	25	150
3000,5000,10000	250	19.1 X 8	220	25	250

Specification are subject to change. All dimensions are in mm.



Manufactured by:

ADI ARTECH
TRANSDUCERS PVT. LTD.
 A Joint venture with
 ARTECH INDUSTRIES INC., U.S.A

917/1, G.I.D.C. Estate, Makarpura , Vadodara - 390 010. Gujarat, INDIA

Ph : +91-265-2655083, 2651023

Fax : +91-265-2638751

M : +91-9374068998, 9327425560

Email : sales@adiartech.com, adiartech@adiartech.com, artechad1@sancharnet.in

Website: www.adiartech.com