

Description

ADI ARTECH'S Torque transducer TTD-FF is flanged type general purpose dynamic rotary type sensor for accurate measurement of Torque in rotating equipment. It is constructed from hardened Tool Steel material. This is strain gage based sensor with full temperature compensation over 0~50°C. It is very accurate, reliable and sturdy for industrial applications. It is compensated for axial and bending forces for precise torque measurements. It is available from 0-100NM to 0-50KNM ranges. Torque sensing shaft is installed with high quality, low noise slip ring and brush mechanism. We offer wide variety of options: both ends shaft, both ends flange and combination of shaft & flange versions for dynamic torque measurements. It is available for speed up to 2500 RPM max. Customized version can be provided as per user's dimensions and capacity.

Features

- Standard Ranges-0-100NM TO 0-50KNM.
- Hardened Tool Steel construction for resistance against shock and overload.
- Can be designed to fit your dimensional needs.
- Other capacities are available on request up to 50KNM.

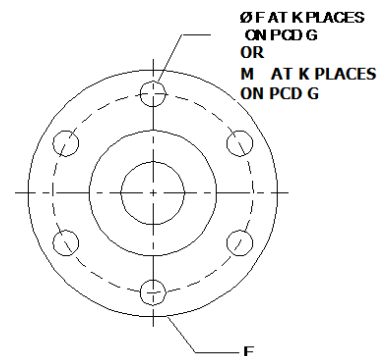
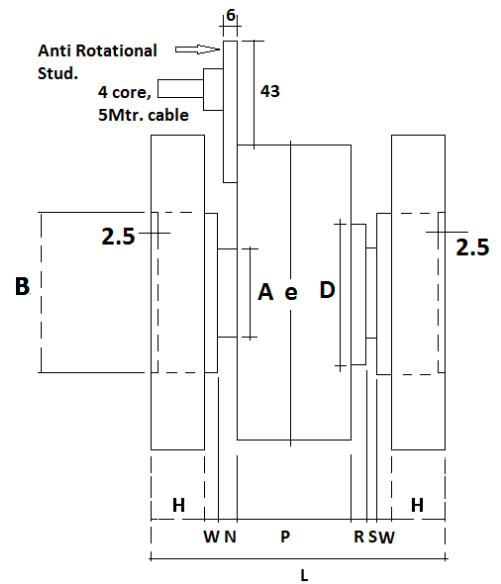
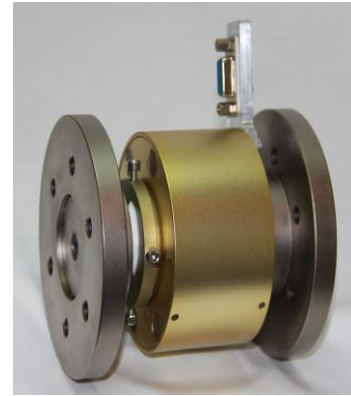
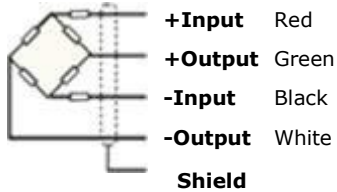
Applications

Electrical tool testing	Gear Box Testing
Axle/shaft torsion test	Bearing friction measuring
Testing of starters/slip rings/brushes/clutches/brakes	Electric/hydraulic/pneumatic motors testing
Alternators/pumps/gas & diesel turbine engines testing	Engine Dynamometer, Automobile Testing

Performance Specification

Standard Capacities in NM	See table below
Excitation Voltage	10 VDC- Maximum 15 VDC
Nominal Output	2.0 m V/ V
Non - Linearity	< ±0.5% FSO
Hysteresis	< ±0.2% FSO
Non-Repeatability	< ±0.1% FSO
Creep (30 minutes)	< ±0.3% FSO
Zero Balance	±1.0% FSO
Input Resistance	390 Ohms
Output Resistance	350 Ohms
Insulation Resistance (50 VDC)	> 1000 Mega Ohms
Safe Overload	150% OF RC
Ultimate Overload	200% OF RC
Temp. Compensated Range	0-50 °C
Temperature Effect on Output	< 0.0025% FSO/ °C
Temperature Effect on Zero	< 0.0030% FSO/ °C
Finish & Construction	Tool Steel - Electro less Nickel Plated
Environmental Protection Class	IP65 - Gage area

Electrical Termination



Capacity-NM	A	B	D	E Dia.	e	F X K PLCS.	G - PCD	H	L	M X K PLCS.	N	P	R	S	W	Max.RPM/Min.(M.) Rotational(R.) Life(L.)
100,200	25	40	50	98	86	8.1 X 6	64	12	120	8mm X 6	11	45	8	12	10	2500 / 50 M.R.L
300,500,1K	40	70	60	118	99	12.1 X 6	95	20	160	12mm X 6	13	45	8	14	10	2000 / 50 M.R.L
2K,3K,5K	60	90	83	148	130	16.5 X 6	115	25	200	16mm X 6	11	50	10	14	15	1500 / 50 M.R.L
10K	75	116	100	188	158	16.5 X 8	152	25	230	16mm X 8	34	60	12	34	20	1000 / 25 M.R.L
15K,20K	90	116	130	188	185	17.5 X 8	152	25	255	18mm X 8	39	65	12	39	25	500 / 25 M.R.L
30K,40K, 50K	120	160	150	240	215	19.1 X 8	203	35	315	20mm X 8	46	88	15	46	25	250 / 25 M.R.L

Specification are subject to change.

All dimensions are in mm.

	Manufactured by: ADI ARTECH TRANSDUCERS PVT. LTD. A Joint venture with ARTECH INDUSTRIES INC., U.S.A	917/1, G.I.D.C. Estate, Makarpura, Vadodara - 390 010, Gujarat, INDIA Phone : +91-265-2655083, 2651023,2638751 Mobile : +91-9374068998, 9879444551 Email : sales@adiartech.com, adiartech@adiartech.com Website : www.adiartech.com
--	--	---