

**Description**

20210-MINI is **CE Certified** strain gage based force sensor constructed from Electro less Nickle Plated Steel Alloy. Its operating temperature is 10 TO 50°C. It is compact and light weight and easy to install. This is applied to economy hanging scales, hand held force gages and controlled feed systems. It is universal load cell with tension and compression measurements.

**Features**

- ❖ Only 100 Kgf. Capacity is offered ❖ **CE Rated**
- ❖ Complete environmental protection –meets to IP 65 class for gage area
- ❖ Light weight and compact

**Applications**

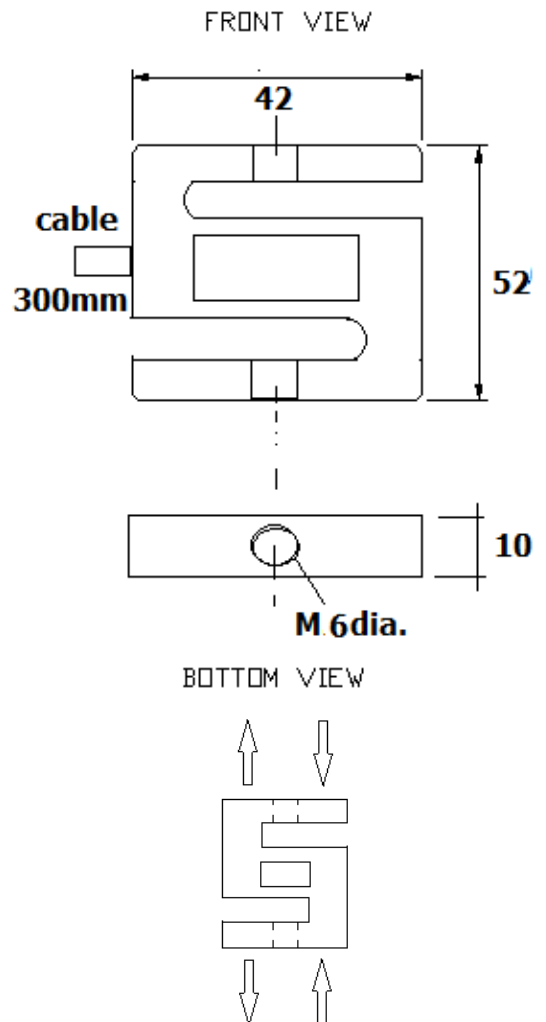
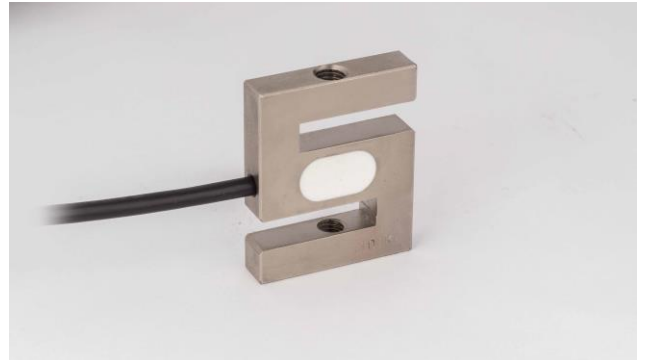
- ❖ Hand held force gages
- ❖ Medical instrumentations
- ❖ Controlled feed systems
- ❖ Test equipment
- ❖ Thread tension control in textile industry
- ❖ Hanging scales

**Performance Specification**

Standard Capacities	100 Kgf
Excitation Voltage	10 VDC- Maximum 15 VDC
Nominal Output	1.5 to 2.0 m V/ V
Non - Linearity	< ± 0.5% FSO (Full Scale Output)
Non - Repeatability	< ± 0.2% FSO
Creep (30 minutes)	< ± 0.05% FSO
Zero Balance	± 1.0% FSO
Input Resistance	350 Ohms
Output Resistance	350 Ohms
Insulation Resistance (50 VDC)	> 1000 Mega Ohms
Safe Overload of Rated Capacity	150%
Cable Length (4 Core Screened)	300mm
Temp Range-operating	10 TO 50 °C
Temperature Effect on Output	< 0.1 % FSO/ °C
Temperature Effect on Zero	< 0.15% FSO/ °C
Deflection	< 0.5 mm at FSO
Finish & Construction	Alloy Steel
Environmental Protection Class	Meets to IP 65

**Electrical Termination**

	<b>+Input</b>	Red
	<b>+Output</b>	Green
	<b>-Input</b>	Black
	<b>-Output</b>	White
	<b>Shield</b>	



All dimensions are in mm.

Specification are subject to change.

	Made in INDIA by:	917/1, G.I.D.C. Estate, Makarpura, Vadodara - 390 010, Gujarat, INDIA
	<b>ADI ARTECH</b>	<b>Mobile</b> : +91-9374068998, 9879444551, 9054467370
	<b>TRANSDUCERS PVT. LTD.</b>	<b>Email</b> : sales@adiartech.com, adiartech@adiartech.com
	<b>(An ISO 9001:2015 Certified Company)</b>	<b>Website</b> : www.adiartech.com