

Description

CE Certified 60520-SS is single point off center load cell, specially designed for small scales. It is constructed from Stainless Steel 17-4 ph. for protection against corrosion. This Load Cell ideally suits to Fisheries, Food, Chemical and Pharmaceutical industries. It is strain gage based cell with full temperature compensation over 0 to 50°C. It is easy to install and use. Top and bottom cover plates provided for gage area protection.

Features

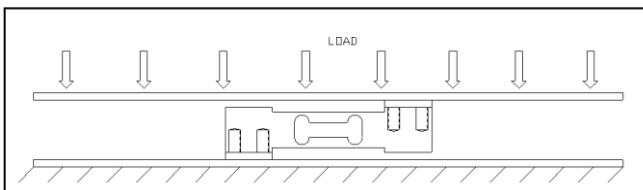
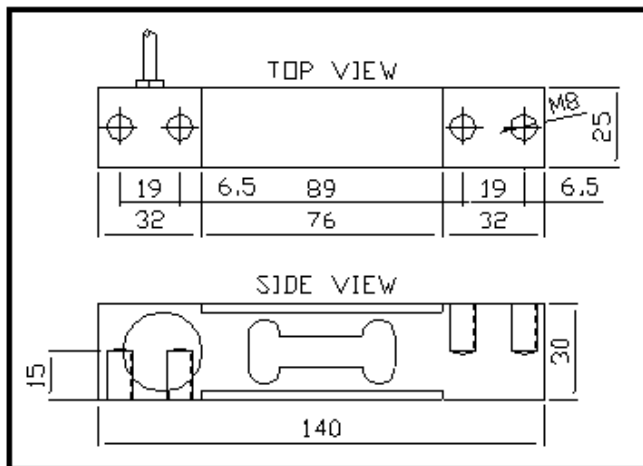
- ❖ **CE Rated** ❖ 10, 20, 50, 75, 100Kgf. capacities are offered.
- ❖ Complete environmental protection for gage area is provided for IP-65 protection class.
- ❖ Other capacities can be customized as per requirements.

Applications

- ❖ Table top scales
- ❖ Fisheries scales
- ❖ Check weighing
- ❖ Bagging machines
- ❖ Food, Chemical and Pharmaceutical weighing

Performance Specification

Standard Capacities	10, 20, 50, 75, 100Kgf.
Excitation Voltage	10 VDC- Maximum 15 VDC
Nominal Output	2.0 m V/ V +/-0.25
Non - Linearity	< ±0.025% FSO (from 4% to 100% range)
Hysteresis	< ±0.05% FSO
Non-Repeatability	< ±0.03% FSO
Creep (30 minutes)	< ±0.03% FSO
Zero Balance	±1.0% FSO
Input Resistance	390 ± 20 Ohms
Output Resistance	350 ± 10 Ohms
Insulation Resistance (50 VDC)	> 1000 Mega Ohms
Cable Length (4 Core Screened)	1.5 Meters
Safe Overload of Rated Capacity	150%
Ultimate Overload of Rated Capacity	250%
Eccentric Load Effect	<0.025 of FSO when 1/3 rated load is placed within 200mm radius from center of load cell
Temp. Compensated Range	0-50 °C
Temperature Effect on Output	< 0.0025% FSO/ °C
Temperature Effect on Zero	< 0.0030% FSO/ °C
Deflection	< 0.4 mm at FSO
Finish & Construction	Stainless Steel 17-4 ph.
Environmental Protection Class	Meets IP 65



Electrical Termination

	+Input	Red
	+Output	Green
	-Input	Black
	-Output	White
	Shield	

Options

- * Supportive Hardware such as :
Eye Bolt, Threaded loading Button, Threaded base plate
- * Dual Bridge Output
- * Compatible Instruments with Relay output, 4-20 mA or 0-2 Volt Output
- * Digital Version with RS-485 interface / USB output / Blue Tooth Telemetry / Wireless Telemetry
- * Software for Graphic, Tabulation and Reporting
- * Customization with customers dimensions

Specifications are subject to change.

All dimensions are in mm.

	<p>Made in INDIA by:</p> <p>ADI ARTECH</p> <p>TRANSDUCERS PVT. LTD.</p> <p>(An ISO 9001:2015 Certified Company)</p>	<p>917/1, G.I.D.C. Estate, Makarpura, Vadodara - 390 010, Gujarat, INDIA</p> <p>Mobile : +91-9374068998, 9879444551, 9054467370</p> <p>Email : sales@adiartech.com, adiartech@adiartech.com</p> <p>Website : www.adiartech.com</p>
--	---	---