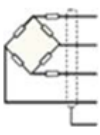

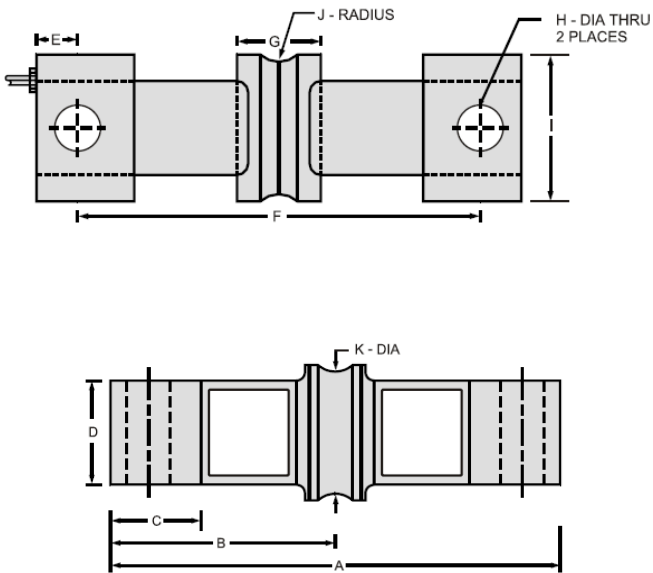



Description

CE Certified Model 70210 is double ended shear beam Load Cell which is ideally suited for truck, track, tank & hopper weighing applications. This cell is designed to withstand the rigorous of harsh environmental conditions. It is constructed from Tool Steel. Can also be offered with complete mounting assembly – WM-II. **It is also available in Digital version, equipped with Fully Embedded Electronics with RS485 communication capability For easy interface over long distance without signal loss.**

Features	
❖ CE Rated ❖ 0-2.5 Tf to 0-100 Tf capacities offered. ❖ Triple-Sealing for environmental protection. ❖ Stainless Steel for Harsh Industrial Applications.	
Applications	
❖ Truck, Tank & Hopper weighing ❖ Large Platform Scales ❖ Weighbridge	
Performance Specification	
Standard Capacities	2.5,3,5,10,15,20,30,40,50,75,100 Tf.
Excitation Voltage	10VDC- 15VDCMaximum
Nominal Output	2.0 MV/V
Non - Linearity	<±0.005% FSO (Full Scale Output)
Hysteresis	<±0.03% FSO
Non-Repeatability	<±0.02% FSO
Creep (30 minutes)	<±0.03% FSO
Zero Balance	± 1.5 % FSO
Input Resistance	770 ± 20.0 Ohms
Output Resistance	700 ± 2 Ohms
Ultimate Overload	200% of Rated Capacity
Temp. Compensated Range	10-50 °C
Temperature Effect on Output	< 0.0015% FSO/°C
Temperature Effect on Zero	< 0.0020% FSO/°C
Deflection	< 0.5 mm at FSO
Material of Construction	Tool Steel – Electro less Nickle plated
Environmental Protection Class	Meets to IP 68 class
Electrical Termination	
 <ul style="list-style-type: none"> + Input - Red + Output - Green - Input -Black - Output - White Shield - Floated 	Options
	<ul style="list-style-type: none"> * Mounting Module WM-II * Compatible Instruments with Relay output, 4-20 mA or 0-2 Volt Output * Digital Version with RS-485 interface / USB output / Blue Tooth Telemetry / Wireless Telemetry * Software for Graphic, Tabulation and Reporting

ARROW SHOWS LOAD DIRECTION FOR +VE OUTPUT



Cap.-Tf.	A	B	C	D	E	F	G	H	I	J	K	Cable-Mtrs.
2.5,3,5,10	206	103	36	28	15.5	175	25	17	45	12.5	38	10
15,20,30,40	260	130	47	60	22	216	35	25	78	25	70	10
50,75	285	143	47	63.5	22	241	35	25	88	25	80	10
100,125	410	205	77	117	40	330	45	37	136	50	128	10

Specifications are subject to change.

All dimensions are in mm.



Made in INDIA by:

ADI ARTECH
TRANSDUCERS PVT. LTD.
 (An ISO 9001:2015 Certified Company)

917/1, G.I.D.C. Estate, Makarpura, Vadodara - 390 010, Gujarat, INDIA
Mobile : +91-9374068998, 9879444551, 9054467370
Email : sales@adiartech.com, adiartech@adiartech.com
Website : www.adiartech.com