

**Description**

**CE Certified** Model 60610 is strain gage based low profile bending beam miniature load cell and is deal for jewelry and table top scales. It is designed for low eccentric load effects. It is provided with mechanical over load and under load protection mechanism.

**Features**

- ❖ **CE Rated** ❖ Single Point Capability with minimum off center error
- ❖ Low Profile Design
- ❖ Capacity as low as 200Gmf. full scale
- ❖ Moisture Protecting sealing
- ❖ Inbuilt Mechanical over load Protection Bracket

**Applications**

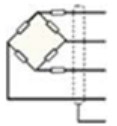
- ❖ Precision Jewelry Scales
- ❖ Small Bagging Machines
- ❖ Thread Tension Measurements

**Performance Specification**

Standard Capacities-(Gmf.)	100, 200, 300, 400, 500, 750, 1000, 1500, 2000
Excitation Voltage	10 VDC- Maximum 15 VDC
Nominal Output	1.6 m V/ V
Non - Linearity	< ±0.025% FSO (from 4% to 100% range)
Hysteresis	< ±0.02% FSO
Non-Repeatability	< ±0.01% FSO
Creep (30 minutes)	< ±0.03% FSO
Zero Balance	±1.0% FSO
Input Resistance	420 ± 20 Ohms
Output Resistance	350 ± 10 Ohms
Insulation Resistance (50 VDC)	> 1000 Mega Ohms
Cable Length (4 Core)	300cm
Safe Overload of Rated Capacity	150%
Ultimate Overload of Rated Capacity	250%
Platter Size	120mm dia.
Eccentric Load Effect	<0.025 of FSO when 1/3 rated load is placed within 120mm radius from center of load cell
Temp. Compensated Range	0-60 °C
Temperature Effect on Output	< 0.0015% FSO/ °C
Temperature Effect on Zero	< 0.0020% FSO/ °C
Deflection	< 0.4 mm at FSO
Finish & Construction	Aluminum Alloy
Environmental Protection	Meets to IP 65
Mechanical Protection	Bracket provided for over and under load protection

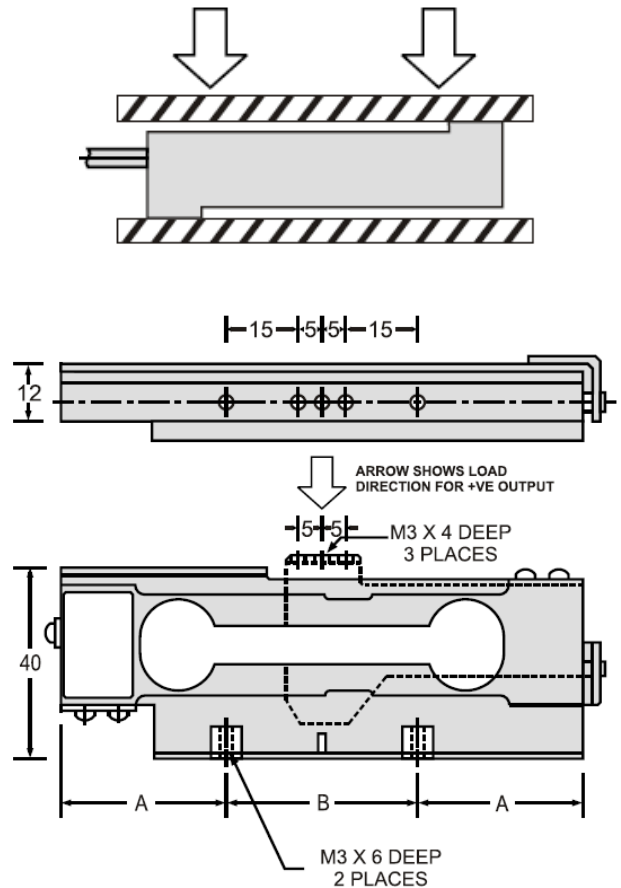
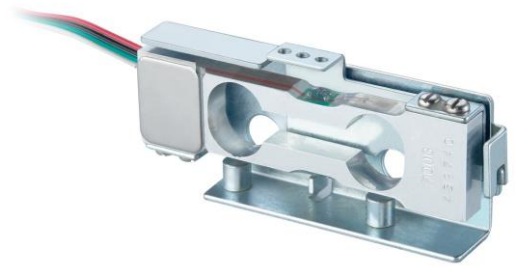
**Electrical Termination**

**Options**



- + Input - Red
- + Output - Green
- Input -Black
- Output - White
- Shield - Floated

Compatible Instruments with Relay output, 4-20 mA or 0-2 Volt Output  
 Digital Version with RS-485 interface / USB output  
 Blue Tooth Telemetry / Wireless Telemetry  
 Software for Graphic, Tabulation, Reporting and Analysis



Capacity	A	B
200 - 500 Gmf.	34.5	40
0.7- 2Kgf.	25	40

Specification are subject to change.

All dimensions are in mm.



Made in INDIA by:

**ADI ARTECH**  
**TRANSDUCERS PVT. LTD.**  
 (An ISO 9001:2015 Certified Company)

917/1, G.I.D.C. Estate, Makarpura, Vadodara - 390 010, Gujarat, INDIA

**Mobile** : +91-9374068998, 9879444551, 9054467370

**Email** : sales@adiartech.com, adiartech@adiartech.com

**Website** : www.adiartech.com