

Description

70610 is **CE Certified** Double Ended Shear Type Load Cell. It is suitable for truck, tank and hopper weighing. This is constructed from electro less nickel plated heat treated tool steel suitable for harsh industrial applications. Cup and steel ball mounted mechanism is self-restoring and self-centering. Transient voltage protection is provided for protection against lightning and line voltage faults.

Metallic Screened jacketed cable is offered at an extra cost for protections against rodent hazards.

Digital version also can be offered equipped with Fully Embedded electronics with RS485 communication capability for easy interface over long distance without signal loss.

Features

- ❖ **CE Rated** ❖ Complete environmental Protection -IP68
- ❖ Hardened tool steel construction. ❖ 5Tf. to 40 Tf. Capacities.
- ❖ Good side force and shock resistance.
- ❖ Full mounting hardware are provided with the load cell.

Applications

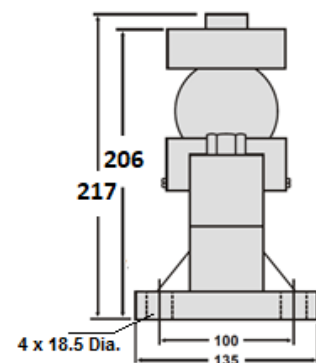
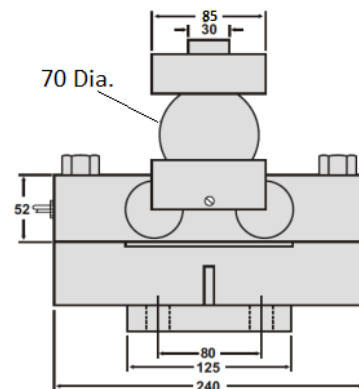
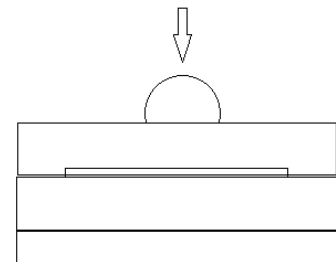
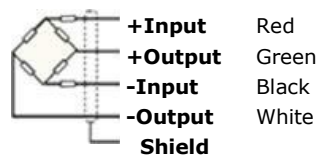
- ❖ Truck weighbridge
- ❖ Tank and hopper weighing
- ❖ Tensile testing

Performance Specification

Standard Capacities(Tf.)	5, 10, 15, 20, 30, 40
Excitation Voltage	10 VDC – 15 VDC Maximum
Nominal Output	2.0MV/V
Non - Linearity	< ±0.025% FSO (Full Scale Output)
Hysteresis	< ±0.02% FSO
Non-Repeatability	< ±0.01% FSO
Creep (30 minutes)	< ±0.03% FSO
Zero Balance	± 1% FSO
Input Resistance	770 ± 20.0 Ohms
Output Resistance	700 ± 2 Ohms
Insulation Resistance (50V)	>1000 Mega Ohms
Ultimate Overload	300% of Rated Capacity
Allowable Side Load	50%
Temp. Compensated Range	0-60 °C
Temperature Effect on Output	< 0.0015% FSO/ °C
Temperature Effect on Zero	< 0.0020% FSO/ °C
Deflection	< 0.5 mm at FSO
Finish & Construction	Electro less Nickel Plated Tool Steel
Environmental Protection Class	IP 68

Electrical Termination

4 core cable – 12 Meters.



Specifications are subject to change. All dimensions are in mm.

Anti-rodent metallic screen cable is offered optionally at an extra cost.



Made in INDIA by:

ADI ARTECH
TRANSDUCERS PVT. LTD.
 (An ISO 9001:2015 Certified Company)

917/1, G.I.D.C. Estate, Makarpura, Vadodara - 390 010, Gujarat, INDIA

Mobile : +91-9374068998, 9879444551, 9054467370

Email : sales@adiartech.com, adiartech@adiartech.com

Website : www.adiartech.com