

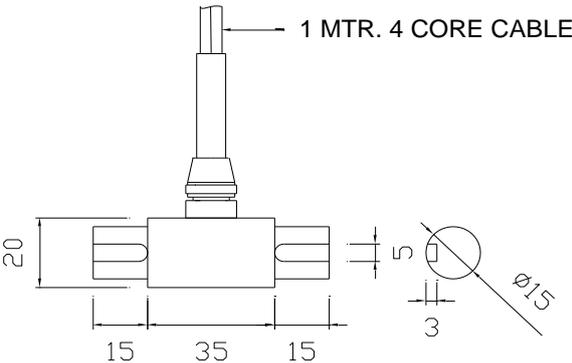
Description

TTS – mini is **CE Certified** precision type torque transducer useful in bottle cap sealing & opening, valve, fasteners test. Torque with Thrust – dual axis – sensor finds applications in gear box, drilling performance, thrust bearing and aircraft propulsion tests. It is constructed from Aluminum Alloy 2024-T4 or Stainless steel 17-4 ph material for ruggedness and harsh industrial applications. Its design is strain gage based with full temperature compensation over 10 to 50°C range.

Features	
❖ CE Rated	❖ 1, 2, 3, 5, 10, 20, 30NM. Capacities available.
❖ Aluminum Alloy or Stainless Steel 17-4 ph construction for resistance against shock and overload.	
❖ Complete Environmental Protection -IP65 class.	
❖ Can be customized to suit customer’s requirements.	
❖ High Temperature version can be provided on request.	

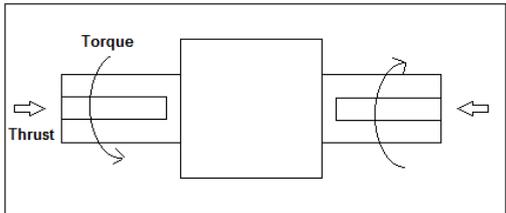
Applications	
❖Bottle cap sealing & removal	❖Valve Testing
❖Fastener Testing	❖Gear Box testing
❖Drilling performance test	❖Thrust Bearing performance test
❖Aircraft propulsion test	

Performance Specification	
Standard Capacities	See Table below
Excitation Voltage	10 VDC- Maximum 15 VDC
Nominal Output	2.0 m V/ V
Non - Linearity	< ±0.1% Full Scale Output(FSO)
Hysteresis	< ±0.1% FSO
Non-Repeatability	< ±0.1% FSO
Creep (30 minutes)	< ±0.3% FSO
Zero Balance	±1.0% FSO
Input Resistance	392 ± 15 Ohms
Output Resistance	350 ± 3 Ohms
Insulation Resistance (50 VDC)	> 1000 Mega Ohms
Cable Length (4 Core Screened)	1 meter
Safe Overload of Rated Capacity	150%
Ultimate Overload of Rated Capacity	250%
Allowable Side Load	50%
Temp. Compensated Range	10-50 °C
Temperature Effect on Output	< 0.015% FSO/ °C
Temperature Effect on Zero	< 0.020% FSO/ °C
Rotational Angular Deflection	< 0.2 at FSO
Finish & Construction	Aluminum Alloy / SS 17-4 ph
Environmental Protection Class	IP 65



ALL DIMENSIONS ARE IN MM.

Electrical Termination	Options
<ul style="list-style-type: none"> + Input - Red + Output - Green - Input -Black - Output - White Shield - Floated 	Compatible Instrument with 4-20 mA / 0-2 Volt Output Digital Version with RS-485 interface / USB output Blue Tooth Or Wireless Telemetry Software for Graphic, Tabulation, Reporting And Analysis



Torque - NM	Thrust -N
1	2K
2	3K
3	4K
5	6K
10	9K
20	20K
30	25K

Specifications are subject to change.

All dimensions are in mm.

	Made in INDIA by:	917/1, G.I.D.C. Estate, Makarpura, Vadodara - 390 010, Gujarat, INDIA
	ADI ARTECH	Mobile : +91-9374068998, 9879444551, 9054467370
	TRANSDUCERS PVT. LTD.	Email : sales@adiartech.com, adiartech@adiartech.com
	(An ISO 9001:2015 Certified Company)	Website : www.adiartech.com