

**Description**

PT-100MA is Strain gage based pressure sensor with S.S. construction for corrosive and hygienic applications. It is available with wide selection of pressure range. It is suitable for liquid & gas with pressure port of 1/4" (6.35 mm) 1/2" (12.7 mm) BSP Male/Female thread available. It is provided with inbuilt 4 to 20 ma transmitter.

**Features**

- Stainless Steel 17-4 PH construction
- Available up to 500 bar pressure
- Accuracy better than 0.25%
- Easy for installation

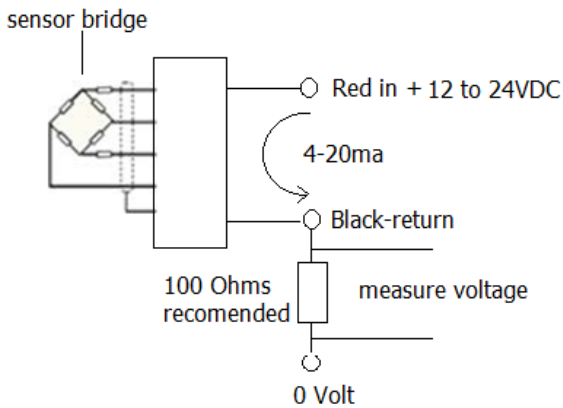
**Applications**

- Pumps & Compressors
- Refrigeration
- Process Controls
- Tank Levels
- Hydraulic & Pneumatic Systems
- Industrial Equipments

**Performance Specification**

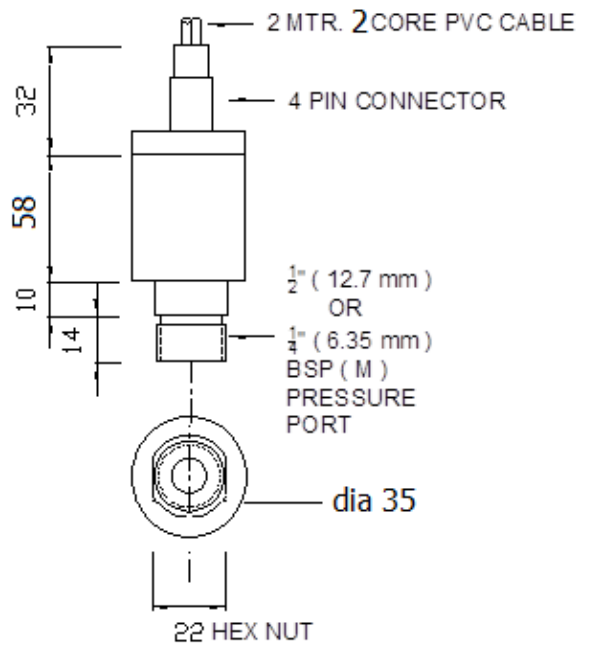
Standard Capacities (Bar)	50,100,200,300,500,600,750,1000.
Excitation Voltage	12 VDC- Maximum 24 VDC
Nominal Output	4-20mA corresponding to zero to full scale
Non - Linearity	< ± 0.25 % FSO (Full Scale Output)
Hysteresis	< ± 0.25 % FSO
Non-Repeatability	< ± 0.25 % FSO
Creep (30 minutes)	< ± 0.05 % FSO
Zero Balance	± 1.0 % FSO
Input Resistance	351 ± 5 Ohms
Output Resistance	351 ± 2 Ohms
Insulation Resistance (50 VDC)	> 1000 Mega Ohms
Cable Length (4 Core Screened)	2 Meters
Safe Overload of Rated Capacity	100%
Ultimate Overload of Rated Capacity	200%
Temp. Compensated Range	0-60°C
Temperature Effect on Output	< 0.04% FSO/ °C
Temperature Effect on Zero	< 0.04% FSO/ °C
Finish & Construction	Stainless Steel 17 - 4 PH
Environmental Protection Class	IP65

**Electrical Termination**



Specifications are subject to change.

All dimensions are in mm.



	<p>Made in INDIA by:</p> <p><b>ADI ARTECH</b></p> <p><b>TRANSDUCERS PVT. LTD.</b></p>	<p>917/1, G.I.D.C. Estate, Makarpura, Vadodara - 390 010, Gujarat, INDIA</p> <p><b>Mobile</b> : +91-9374068998, 9879444551, 9054467370</p> <p><b>Email</b> : sales@adiartech.com, adiartech@adiartech.com</p> <p><b>Website</b> : www.adiartech.com</p>