

**Description**

Ultra Precision Strain Gage based 20410 Crane Load Cell is versatile, compact and rugged. It is used for In line tension measurements, Crane weighing. It can be used in tension mode only. Tension Loading can be applied through Dee / Bow Shackles. It is available in 3 Tf. to 300 Tf. capacities.

**Features**

- \* 3 to 300 TF Capacities available. \* Can be designed to fit your dimensional needs.
- \* High Alloy Tool Steel construction for resistance against shock and overload.
- \* Perpendicular hole design helps in minimizing external moments effects and improves safety & accuracy.
- \* It is light weight, portable and can be supplied with inbuilt RF Transmitter with remote display.
- \* High Temperature version for foundry applications is available upon request.
- \* High Alloy Tool Steel construction provided for ruggedness.

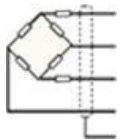
**Applications**

- \* To measure rope tension by inserting as a link in to the line.
- \* To measure towing force of the vehicles and Ships.
- \* Force Measurement Tension Dynamometer. \* Material handling equipment.
- \* Hanging & Crane Scale. \* Cargo handling in Ship Yards.
- \* Bollard Pull Test for Ship and Tug boats.
- \* Over Load detection, Weigh cable force testing, drag force measurement

**Performance Specification**

Standard Capacities TF	3, 5, 10, 15, 20, 30, 50, 80,100, 120, 150, 200, 300
Excitation Voltage	10 VDC- Maximum 15 VDC
Nominal Output	1.0 m V/ V
Non - Linearity	< ±0.15% FSO
Hysteresis	< ±0.25% FSO
Non-Repeatability	< ±0.1% FSO
Creep (30 minutes)	< ±0.1% FSO
Zero Balance	±1.0% FSO
Input Resistance	775 ± 15 Ohms
Output Resistance	700 ± 3 Ohms
Insulation Resistance (50 VDC)	> 1000 Mega Ohms
Cable Length (4 Core Screened)	5 Meters
Safe Overload of Rated Capacity	150%
Ultimate Overload of Rated Capacity	200%
Temp. Compensated Range	0-60°C
Temperature Effect on Output	< 0.005% FSO/ °C
Temperature Effect on Zero	< 0.0030% FSO/ °C
Deflection	< 0.4 mm at FSO
Finish & Construction	Electro less Nickel Plated Tool Steel
Environmental Protection Class	Meets IP 65

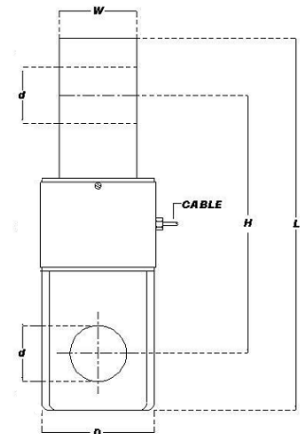
**Electrical Termination**



- +Input** Red
- +Output** Green
- Input** Black
- Output** White
- Shield**

**Options**

- ◆ **Mounting Accessories** ◆ **Dual Bridge**
- ◆ **4-20 mA / 0-2 Volt Output**
- ◆ **Digital Version with RS-485 interface**
- ◆ **Blue Tooth Telemetry** ◆ **Wireless Telemetry**
- ◆ **Compatible Instrument**
- ◆ **Software for Graphic, Tabulation and Reporting**



Tension Loading

Cap.-Tf.	d	D2	W	H	L	Shackle - CB	Shackle-SL
3,5	23	48	26	103.5	150	3.25T,4.75T-G/S-209,2130	3.25T,4.75T-SL-2130/209
10	36	63	48	136	200	12T-G/S-209, 2130	12T-SL-2130/209
15	42	78	58	158	240	17T-G/S-209, 2130	17T- SL-2130/209
20, 30	59	100	80	172	280	35T-G/S-209, 2130	25T, 35T- SL-2130
50	72	130	102	227	370	55T-G/S-209, 2130	55T-SL-2130
80	84	153	124	263	425	85T-G/S-2130	85T-SL-2130
100, 120	100	184	130	315	510	120T-G/S-2130	120T-SL-2130
150	112	210	135	370	600	150T-G/S-2130	150T-SL-2130
200	106	210	145	370	600	200T-G/S2160	NA
300	135	260	180	490	800	300-G/S-2160	NA

Specifications are subject to change.

All dimensions are in mm.

	Manufactured by: <b>ADI ARTECH</b> <b>TRANSDUCERS PVT. LTD.</b>	917/1, G.I.D.C. Estate, Makarpura, Vadodara - 390 010, Gujarat, INDIA <b>Mobile</b> : +91-9374068998, 9879444551, 9054467370 <b>Email</b> : sales@adiartech.com, adiartech@adiartech.com <b>Website</b> : www.adiartech.com
	Manufactured by: <b>ADI ARTECH</b> <b>TRANSDUCERS PVT. LTD.</b>	