

**Description**

30210 is Single Ended Shear Beam Load Cell useful in Weighing Scale, Batching, Tank Weighing, Process & Machine Automation. It is constructed from high tensile tools steel for ruggedness and harsh industrial applications. Its design is strain gage based with full temperature compensation over 0 to 60°C range.

**Features**

- ❖ 30 Kgf. to 10 Tf. Capacities available.
- ❖ Electro less Nickle plated tool Steel constructions for shock load.
- ❖ Complete Environmental Protection –Meets IP 67 class.
- ❖ Standardized output (3.0 ± 0.25%) available on request.
- ❖ Can be customized to suit customer's requirements.
- ❖ High Temperature version can be provided on request.

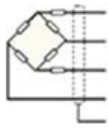
**Applications**

- ❖ Conversion of Mechanical Scale to Electronic.
- ❖ Tank, Hopper & Bag Weighing.
- ❖ Force Measurement, Tension & or Compression Dynamometer.
- ❖ Hanging & Crane Scale.
- ❖ Industrial Automation.
- ❖ Line tension measurement.
- ❖ Process & machine automations.
- ❖ Robotics.

**Performance Specification**

Standard Capacity	Kgf. Tf.	30, 50, 100, 200, 300, 500, 750, 1, 1.5, 2, 2.5, 3, 5, 7.5, 10
Excitation Voltage		10 VDC- Maximum 15 VDC
Nominal Output		3.0 m V/ V +/- 0.5%
Non - Linearity		< ±0.025% FSO
Hysteresis		< ±0.02% FSO
Non-Repeatability		< ±0.01% FSO
Creep (30 minutes)		< ±0.03% FSO
Zero Balance		±1.0% FSO
Input Resistance		392 ± 15 Ohms
Output Resistance		350 ± 3 Ohms
Insulation Resistance (50 VDC)		> 1000 Mega Ohms
Safe Overload of Rated Capacity		150%
Ultimate Overload of Rated Capacity		250%
Allowable Side Load		50%
Temp. Compensated Range		0-60 °C
Temperature Effect on Output		< 0.0015% FSO/ °C
Temperature Effect on Zero		< 0.0020% FSO/ °C
Deflection		< 0.4 mm at FSO
Finish & Construction		Electro less Nickle plated Tool Steel
Environmental Protection Class		Meets IP 67

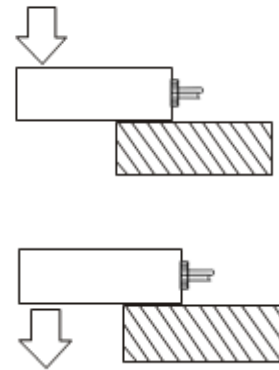
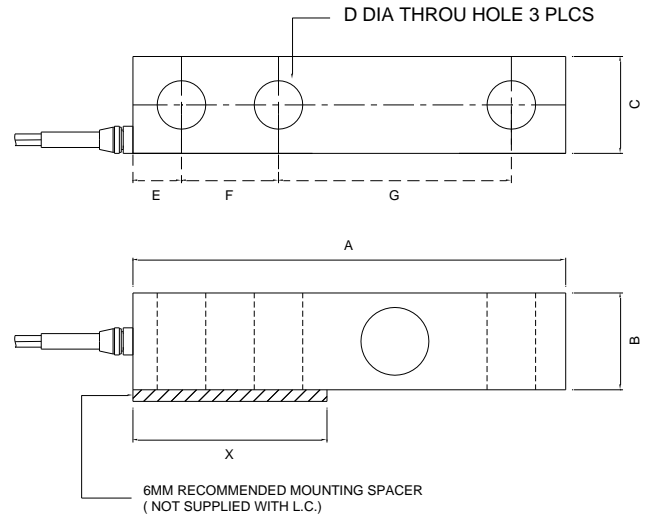
**Electrical Termination**



- + Input - Red
- + Output - Green
- Input - Black
- Output - White
- Shield - Floated

**Options**

- \* Supportive Hardware such as : WM-1 Weigh Module
- \* Compatible Instruments with Relay output, 4-20 mA or 0-2 Volt Output
- \* Digital Version with RS-485 interface / USB output / Blue Tooth Telemetry / Wireless Telemetry
- \* Software for Graphic, Tabulation and Reporting
- \* Customization with customers dimensions



Capacity	A	B	C	D	E	F	G	H	X	Torque	Cable
0-30 Kgf. To 0-2.5 Tf.	130	32	32	13	15	25	75	15	55	2.5Kg.M	3 Meters.
3 Tf., 5 Tf.	172	38	38	21	19	38	95	19	76	5Kg.M	5 Meters.
7.5 Tf., 10Tf.	223	50	50	25	25	50	120	25	100	10Kg.M	5 Meters.

Specification are subject to change.

All dimensions are in mm.

	Made in INDIA by: <b>ADI ARTECH</b> <b>TRANSDUCERS PVT. LTD.</b>	917/1, G.I.D.C. Estate, Makarpura, Vadodara - 390 010, Gujarat, INDIA <b>Mobile</b> : +91-9374068998, 9879444551, 9054467370 <b>Email</b> : sales@adiartech.com, adiartech@adiartech.com <b>Website</b> : www.adiartech.com
--	--	--