

Description

70470 is Double Ended Shear Beam type load cell. It is suitable for truck, tank and hopper weighing. This is constructed from electro less nickel plated heat treated tool steel suitable for harsh industrial applications. It is end supported and center loaded and is very easy to install.

High Service Temperature (150 °C) version is offered for Ladle and Crane Weighing in Steel and metal plants.

It is also offered in Digital Version with Fully Embedded electronics with RS485 communication capability for easy interface over long distance without signal loss.

Features

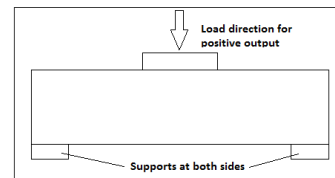
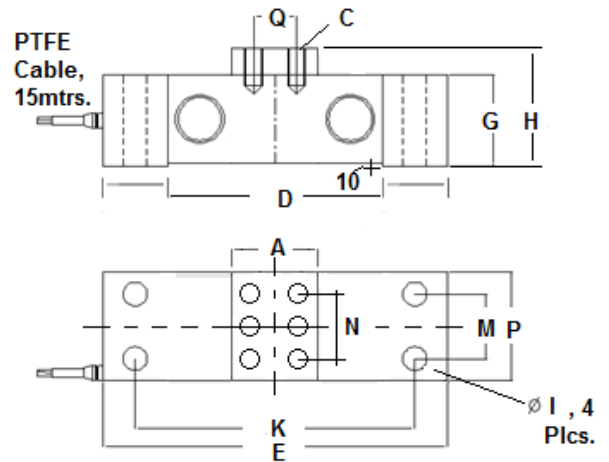
- ❖ 50Tf. to 200 Tf. Capacities.
- ❖ Complete environmental Protection -IP68
- ❖ Hardened tool steel construction.
- ❖ Good side force and shock resistance.
- ❖ Full mounting hardware support is provided with the load cell.

Applications

- ❖ Truck weighbridge
- ❖ Tank, Silo and Hopper weighing in high temperature environments
- ❖ Heavy Steel coil weighing
- ❖ Ladle Turret and Ladle Ferry Scale
- ❖ Various types of weighing in Steel and Foundry - Metal Industries

Performance Specification

Standard Capacities(Tf.)	50, 100, 150, 200
Excitation Voltage	10 VDC- 15 VDC Maximum
Nominal Output	2.0 MV/V
Non - Linearity	< ±0.05% FSO (Full Scale Output)
Hysteresis	< ±0.05% FSO
Non-Repeatability	< ±0.02% FSO
Creep (30 minutes)	< ±0.03% FSO
Zero Balance	±1.0% FSO
Input Resistance	770 ± 20.0 Ohms
Output Resistance	700 ± 2 Ohms
Insulation Resistance(50VDC)	> 1000 M OHMS
Ultimate Overload	300% of Rated Capacity
Temp. Compensated Range	0-60 °C, High Temp. Version- 50-150 °C
Temperature Effect on Output	< 0.005% FSO/ °C
Temperature Effect on Zero	< 0.0040% FSO/ °C
Deflection	< 0.5 mm at FSO
Finish & Construction	Electro less Nickel Plated Tool Steel
Environmental Protection Class	IP 68



Electrical Termination	Options
<ul style="list-style-type: none"> + Input - Red + Output - Green - Input -Black - Output - White Shield - Floated 	<ul style="list-style-type: none"> * Mounting Support Provided * Compatible Instruments with Relay output, 4-20 mA or 0-2 Volt Output * Digital Version with RS-485 interface / USB output / Blue Tooth Telemetry / Wireless Telemetry * Software for Graphic, Tabulation and Reporting

Capacity-Tf.	A	C	D	E	G	H	I	K	M	N	P	Q	Wt. Kg.
50	80	M20X30	340	450	105	130	26	398	68	75	120	40	35
100	90	M24X35	370	500	118	143	30	444	80	90	140	44	55
150	90	M24X35	410	560	133	158	33	500	94	102	160	44	80
200	90	M24X40	450	620	150	175	33	560	114	110	180	44	115

Specifications are subject to change.

All dimensions are in mm.

	<p>Made in INDIA by:</p> <p>ADI ARTECH</p> <p>TRANSDUCERS PVT. LTD.</p>	<p>917/1, G.I.D.C. Estate, Makarpura, Vadodara - 390 010, Gujarat, INDIA</p> <p>Mobile : +91-9374068998, 9879444551, 9054467370</p> <p>Email : sales@adiartech.com, adiartech@adiartech.com</p> <p>Website : www.adiartech.com</p>
	<p>917/1, G.I.D.C. Estate, Makarpura, Vadodara - 390 010, Gujarat, INDIA</p>	